

# RWSCP

Platform for dynamic weighing of the vehicle axles.



# CONTENTS

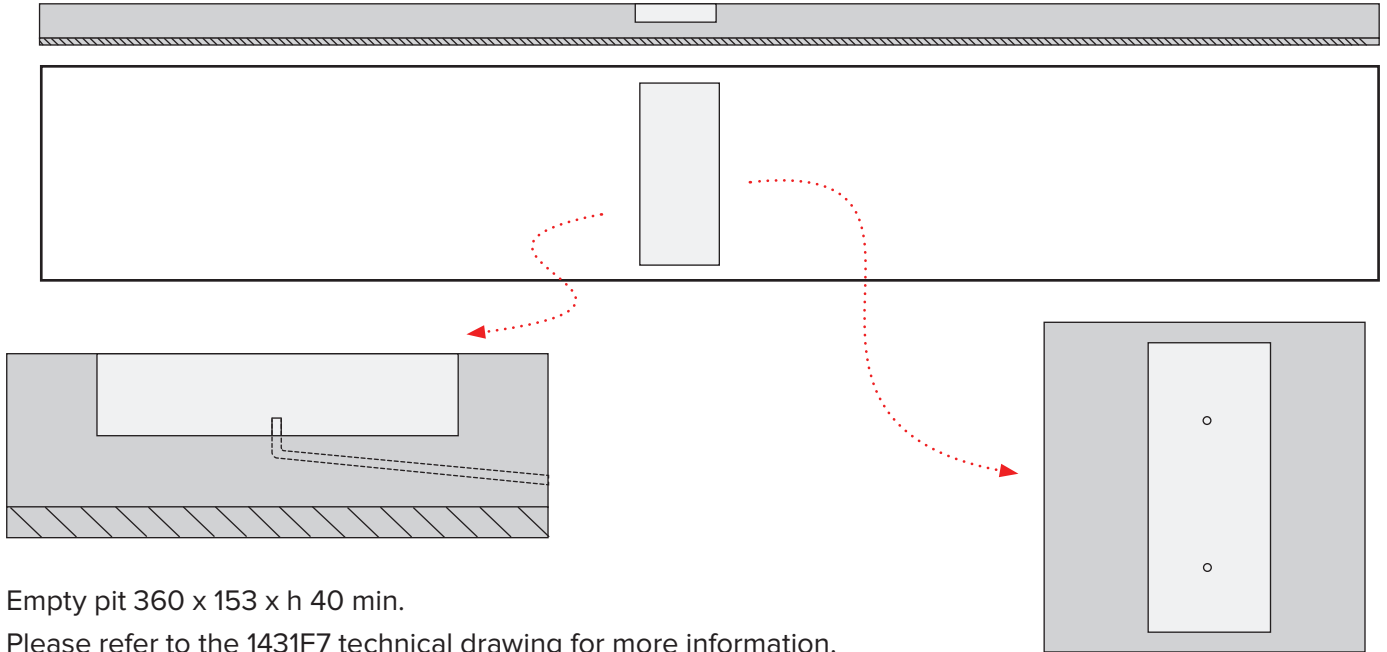
<b>INSTALLATION</b>	<b>3</b>
Installation requirements	3
RWSCP installation procedure	3

# INSTALLATION

## Installation requirements

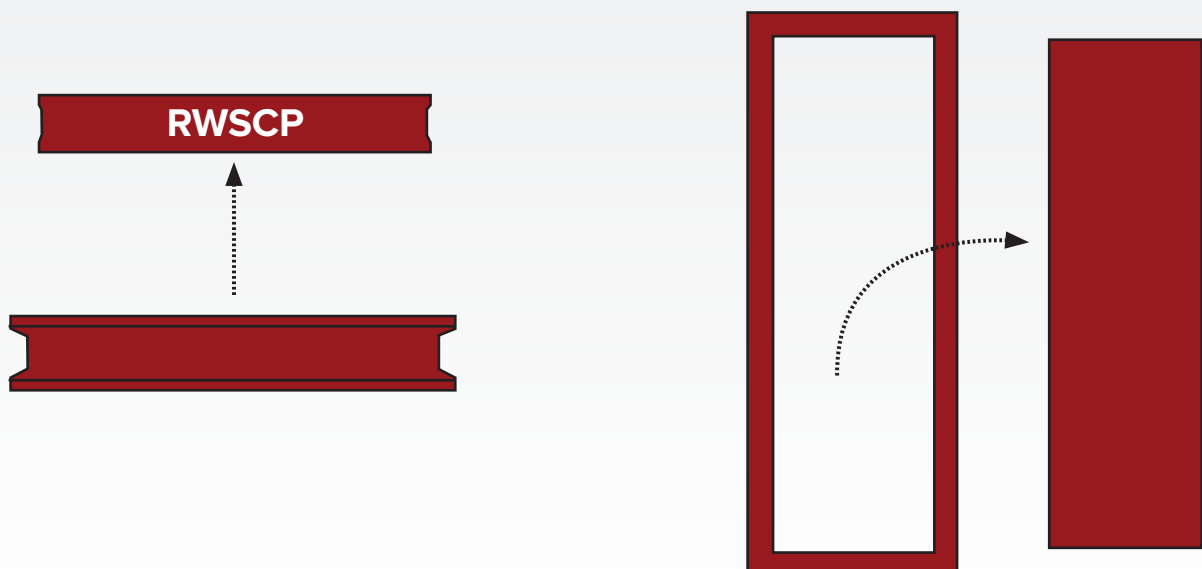
Please confirm that the RWSCP foundation pit has been completed to the specification as shown in the Technical Drawing No 1431F7.

Please confirm that the levels of the whole base area complies with the Technical Drawing No 1431F8.

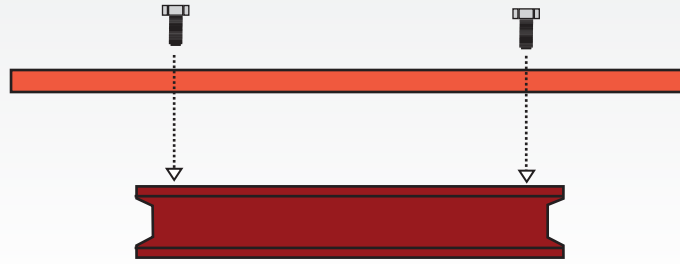


## RWSCP installation procedure

1. Remove the RWSCP scale from his frame.

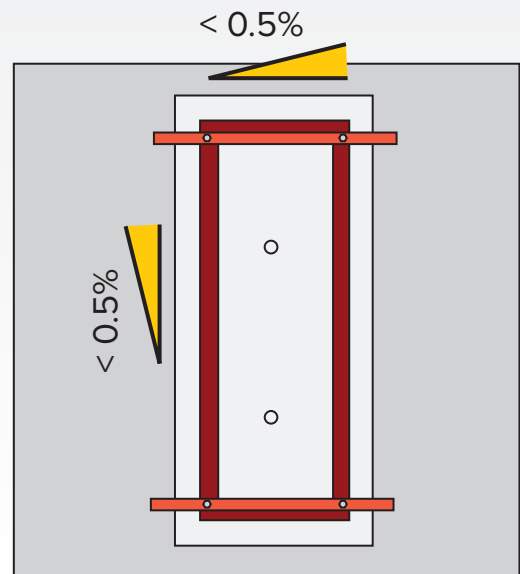
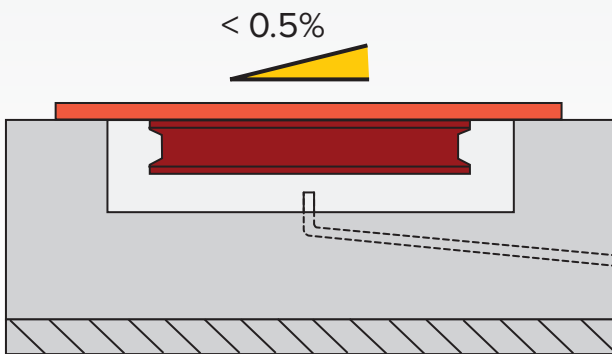


2. Fix the two level bars (optional) to the frame.

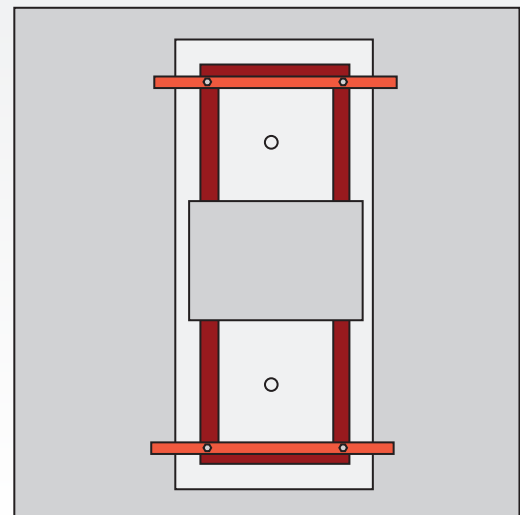
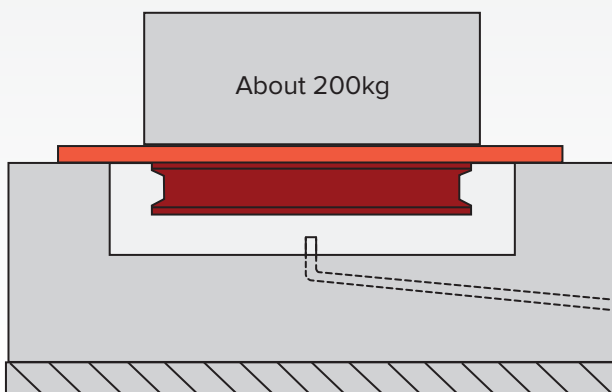


3. Put the frame into the pit and center it. It will be hung by the bars.

**ATTENTION!** surface as to be perfectly plan.

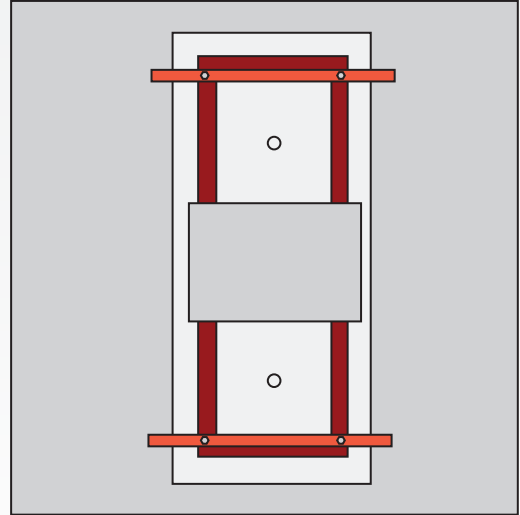
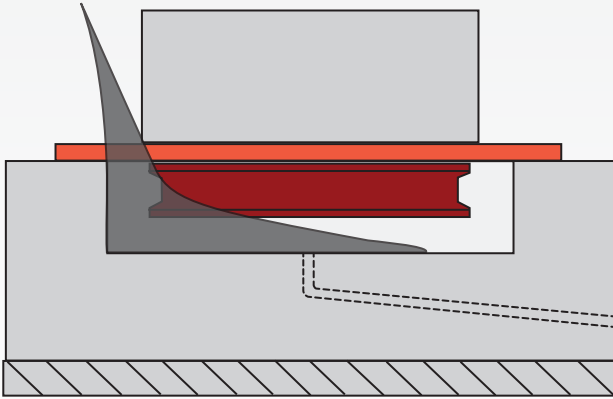


4. Put a weight on the pit frame (about 200kg) to keep it in position during the next operations.



# 5 . Lay the concrete under the pit, in order to create the base and the water discharge levels.

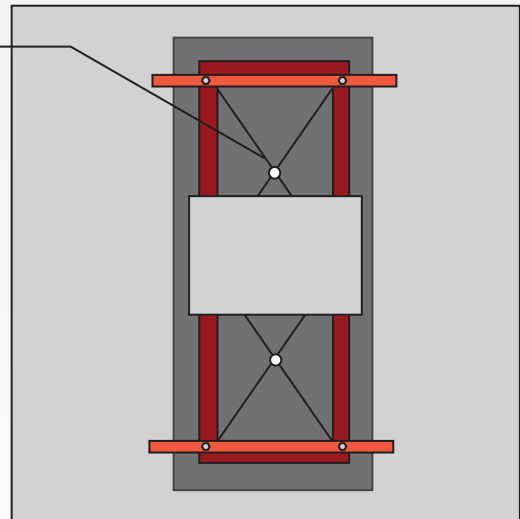
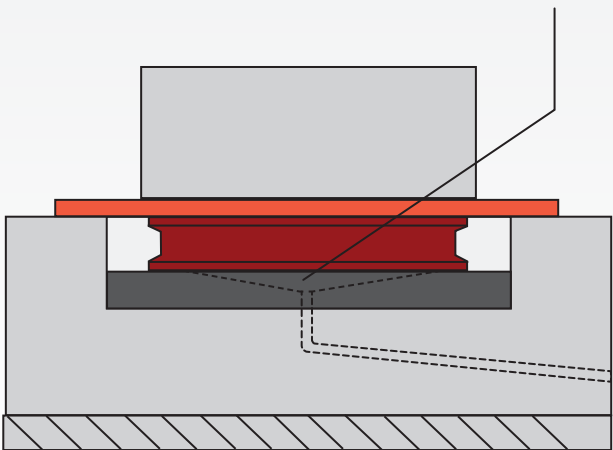
Discharge levels are indicated on the 1431F7 drawing.



**PAY ATTENTION:** *concrete must not enter into the internal frame space, where the scale will be put inside.*



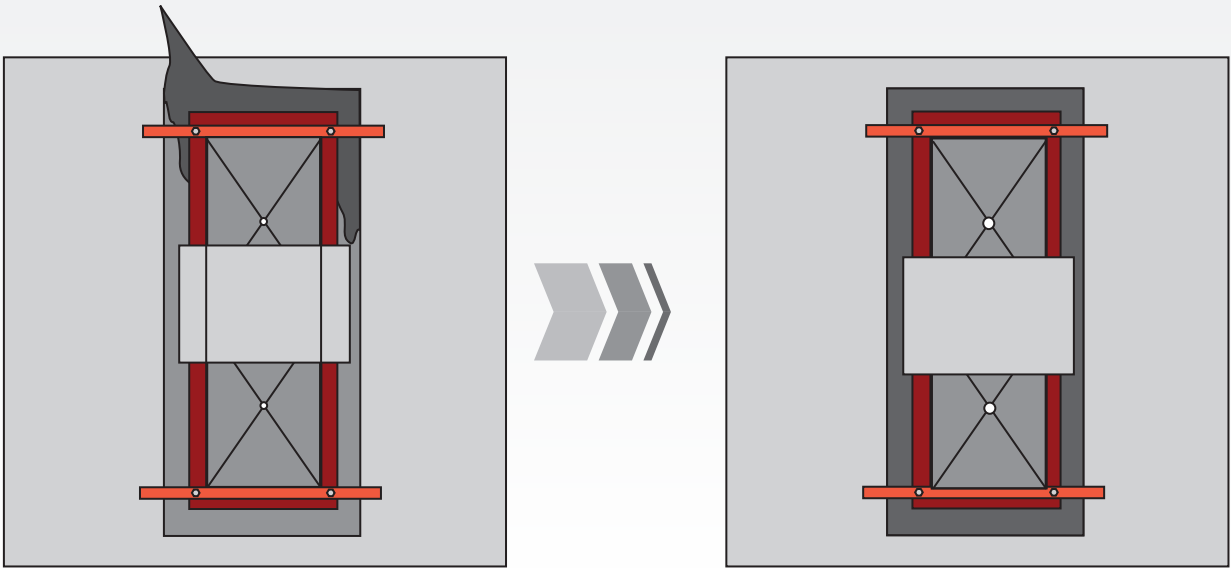
Create the discharge levels following the 1431F7 drawing.



6. Wait until concrete is ready before proceed with the next step.



7. Lay the concrete around the frame.



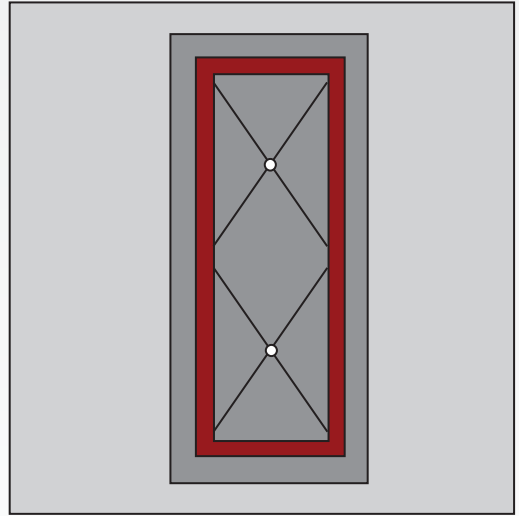
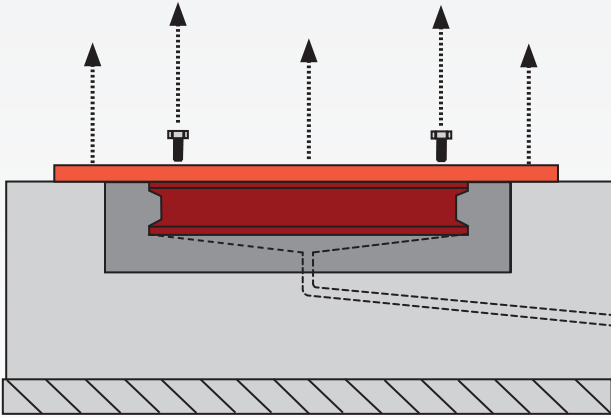
**PAY ATTENTION:** *concrete must not enter into the internal frame space, where the scale will be put inside.*



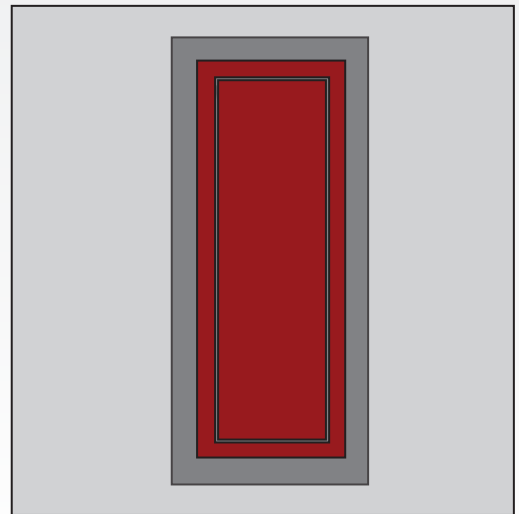
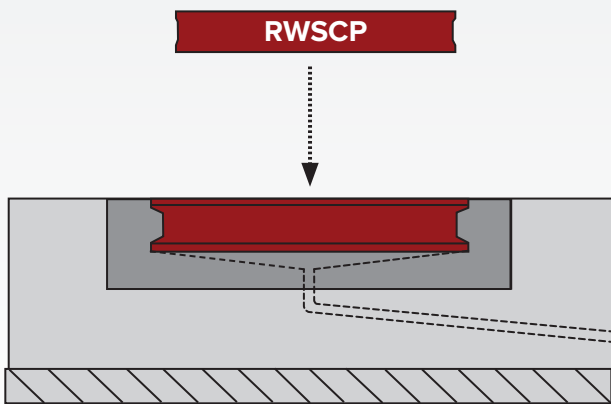
8. Wait until concrete is ready before proceed with the next step.



■ 9. Remove the level bars.



■ 10. Install the RWS scale into the frame and set the scale levels.





**VECHTA Waagen GmbH**

**Schnatgang 3 | 49377 Vechta**

**+49 (0) 44 47 – 969 463 – 0**

**info@vechta-waagen.com**

**<https://vechta-waagen.com>**